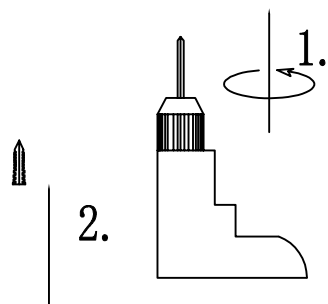


Model: Poznan 96 Art Nr: KRPOZ961

Ceiling

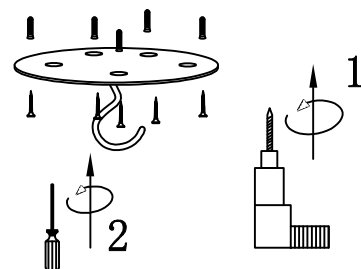
①



Determine the position of the lamp and drill holes for mounting.

Ceiling

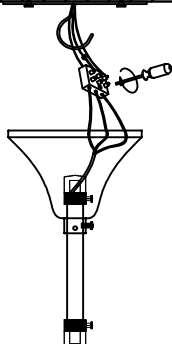
②



Screw on the plate with a suitable screw.
Check that the plate is firmly anchored.

Ceiling

③



Be careful – Electricity!

The lamp is connected with three cables, pay attention to connecting the correct cable to the correct connection point.

A: 30*100 21PCS

B: 14#*16#*18#*+ 36PCS
20#*1+22#*1+24#*1

C: 14#*2+50#*1 32PCS

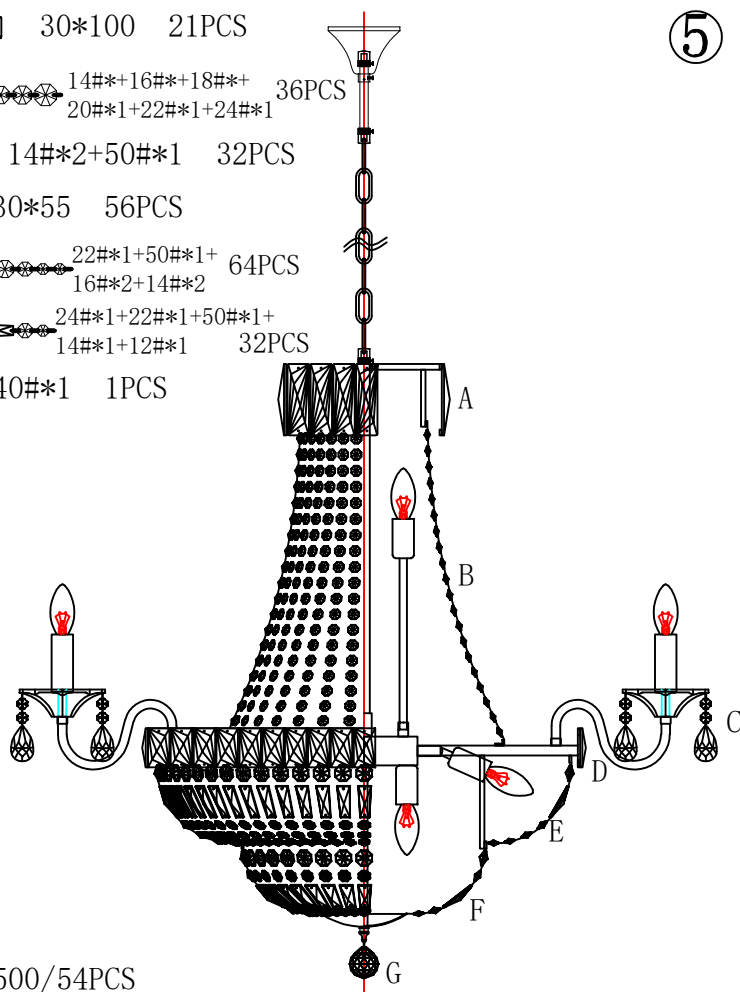
D: 30*55 56PCS

E: 22#*1+50#*1+ 64PCS
16#*2+14#*2

F: 24#*1+22#*1+50#*1+ 32PCS
14#*1+12#*1

G: 40#*1 1PCS

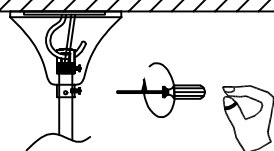
⑤



B: $\varnothing 10 \times 500 / 54 \text{PCS}$

Ceiling

④



Be careful with your hand!

Raise the cover so that it covers the couplings,
fasten it to the ceiling with locking screws.

Warning:

1. Please wear gloves during the installation.
2. Do not install on ceiling which is damp or with wet limewater.
3. Cut off the electricity before installation in case of being shocked.
4. Make sure the fix plate is tightly locked before getting through the electricity.



5. Do not cut off the electricity before washing or repairing, and use the scour without causticity.
6. Turn off the power and wait until the light bulb has cooled down to avoid burns.